

TOSHIBA ZENER DIODE

1Z6.2~1Z30

6.2V~30V Voltage Tolerance Value: $\pm 10\%$

1W epoxy seal type

MAXIMUM RATINGS ($T_a = 25^\circ\text{C}$)

CHARACTERISTIC	SYMBOL	RATING	UNIT
Allowable Power Dissipation	P	1	W
Junction Temperature	T_j	150	$^\circ\text{C}$
Storage Temperature	T_{stg}	-40~150	$^\circ\text{C}$

ELECTRICAL CHARACTERISTICS ($T_a = 25^\circ\text{C}$)

TYPE	ZENER VOLTAGE V_z	
	TYPICAL	CURRENT I_z
	V	mA
1Z6.2	6.2	10
1Z6.8	6.8	10
1Z7.5	7.5	10
1Z8.2	8.2	10
1Z9.1	9.1	10
1Z10	10	10
1Z11	11	10
1Z12	12	10
1Z13	13	10
1Z15	15	10
1Z16	16	10
1Z18	18	10
1Z20	20	10
1Z22	22	10
1Z24	24	10
1Z27	27	10
1Z30	30	10

• The type specified with V_z : $\pm 5\%$ is also available.

1S220~1S261

4.5V~150V Voltage Tolerance Value: $\pm 10\%$

1W metal seal type

MAXIMUM RATINGS ($T_a = 25^\circ\text{C}$)

CHARACTERISTIC	SYMBOL	RATING	UNIT
Allowable Power Dissipation	P	1	W
Junction Temperature	T_j	150	$^\circ\text{C}$
Storage Temperature	T_{stg}	-55~150	$^\circ\text{C}$

ELECTRICAL CHARACTERISTICS ($T_a = 25^\circ\text{C}$)

TYPE	ZENER VOLTAGE V_z	
	TYPICAL	CURRENT I_z
	V	mA
1S220	4.5	50
1S221	5.5	50
1S222	6.5	35
1S223	7.5	35
1S224	8.5	35
1S225	9.5	35
1S226	11	25
1S227	12	25
1S228	13	25
1S229	14	25
1S230	15	25
1S231	16	17
1S232	17	17
1S233	18	17
1S234	19	17
1S235	20	17
1S236	22	12
1S237	24	12
1S238	25	12
1S239	27	12
1S240	30	12
1S241	33	10
1S242	36	10
1S243	39	10
1S244	43	6
1S245	45	6
1S246	47	6
1S247	50	6
1S248	52	6
1S249	56	6
1S250	62	4
1S251	68	4
1S252	75	4
1S253	82	3
1S254	91	3
1S255	100	3
1S256	105	3
1S257	110	3
1S258	120	3
1S259	130	3
1S260	140	3
1S261	150	3

1S262~1S303

4.5V~150V Voltage Tolerance Value: $\pm 10\%$

10W metal seal type

MAXIMUM RATINGS ($T_a = 25^\circ\text{C}$)

CHARACTERISTIC	SYMBOL	RATING	UNIT
Allowable Power Dissipation	P	10	W
Junction Temperature	T_j	150	$^\circ\text{C}$
Storage Temperature	T_{stg}	-55~150	$^\circ\text{C}$

(Note 1) Using the aluminum heat sink (100×100×2mm)

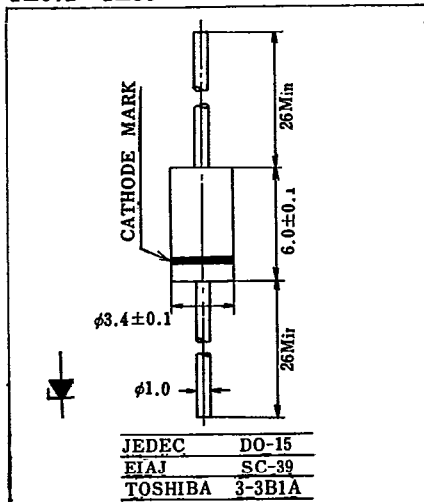
ELECTRICAL CHARACTERISTICS ($T_a = 25^\circ\text{C}$)

TYPE	ZENER VOLTAGE V_z	
	TYPICAL	CURRENT I_z
	V	mA
1S262	4.5	500
1S263	5.5	500
1S264	6.5	350
1S265	7.5	350
1S266	8.5	350
1S267	9.5	350
1S268	11	250
1S269	12	250
1S270	13	250
1S271	14	250
1S272	15	250
1S273	16	170
1S274	17	170
1S275	18	170
1S276	19	170
1S277	20	170
1S278	22	120
1S279	24	120
1S280	25	120
1S281	27	120
1S282	30	120
1S283	33	100
1S284	36	100
1S285	39	100
1S286	43	60
1S287	45	60
1S288	47	60
1S289	50	60
1S290	52	60
1S291	56	60
1S292	62	40
1S293	68	40
1S294	75	40
1S295	82	30
1S296	91	30
1S297	100	30
1S298	105	30
1S299	110	30
1S300	120	30
1S301	130	30
1S302	140	30
1S303	150	30

DIODES

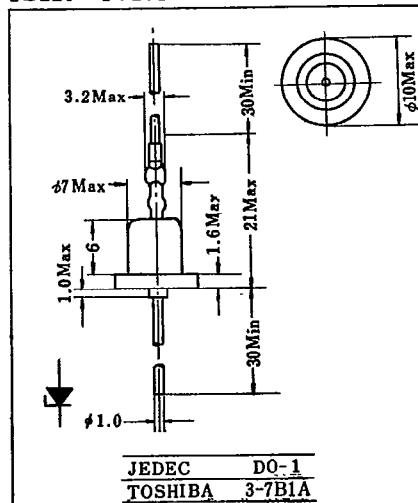
1Z6.2~1Z30

Unit in mm



1S220~1S261

Unit in mm



1S262~1S303

Unit in mm

